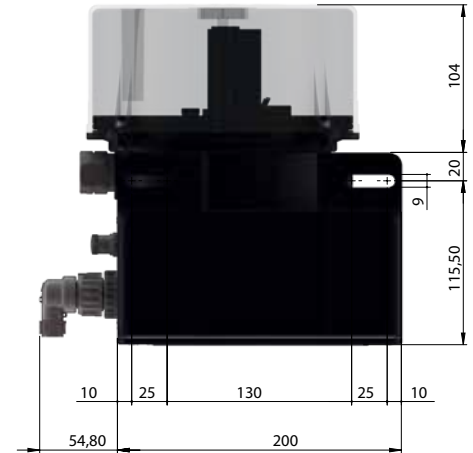
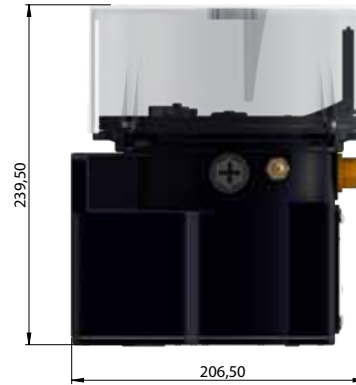
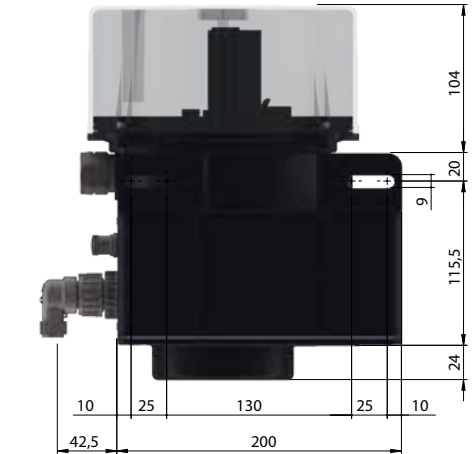


ELECTRIC GREASE PUMP ILC-MAX-G 2 (12/24 V DC – 24 V AC)



ELECTRIC GREASE PUMP ILC-MAX-G 2 (115/230 V AC)



Technical Features

NUMBER OF OUTLETS	FROM 1 TO 3
DISCHARGE PER REV WITH FIXED PUMPING	0.16 CC
DISCHARGE PER REV WITH ADJUSTABLE PUMPING	0.01 – 0.16 CC
RPM	23 rpm (12 V DC) / 22 rpm (24 V DC) / 29 rpm (230 V AC) / 31 rpm (115 V AC)
DISCHARGE PER MINUTE WITH FIXED PUMPING	3,68 cm ³ (12 V DC) / 3,52 cm ³ (24 V DC) / 4,64 cm ³ (230 V AC) / 4,96 cm ³ (115 V AC)
DISCHARGE PER MINUTE WITH ADJUSTABLE PUMPING	0,23 - 3,68 cm ³ (12 V DC) / 0,22 - 3,52 cm ³ (24 V DC) / 0,29 - 4,64 cm ³ (230 V AC) / 0,31 - 4,96 cm ³ (115 V AC)
SUITABLE LUBRICANTS	GREASE UP TO A CONSISTENCY NLGI NO. 2
MAXIMUM OPERATING PRESSURE	275 bar (3993 PSI)
TANK CAPACITY	2 KG -TRANSPARENT
TEMPERATURE	FROM - 20 °C TO + 80 °C
DELIVERY FITTING	1 / 4" G
MINIMUM ELECTRIC LEVEL	1 A 140 V AC – 200 V DC 10 W NO When the tank is empty, a pulse from open to closed is created at each rotation
ROTATION CONTROL	1 A 140 V AC – 200 V DC 10 W NO –The contact closes at each rotation