

lubrication systems



# MPO

## ELECTRIC PUMP FOR OIL

for progressive systems



**ReliaMAX™**  
*Reliable Performance & Maximum Value*

Technical data	3
Motor	3
MPO	4
Dimensions (MPO)	5



**Technical data**

Flow rate/1'	150 CC - 250 CC - 500 CC
Operating pressure	50 - 120 bar adjustable
Tank	3 - 5 - 6 - 8 - 12 - 50 L
Lubricants	Oils from 50 to 1000 cSt 40° C
Delivery fitting	M12x1 Pipe Ø 6 - 8
Operating temperature	from -20° C to +80° C
Minimum electric level	1.5 A - 250 V AC / 200 V DC - 50 W

**Motor**



MPO series electric pumps have a standard configuration that has a three-phase multi-voltage motor. The pump motor unit is applied to a sheet-metal angle plate acting as a cover of the tank

For orders with motors of different voltages, add the voltage value to the relative code, for example **00.860.0** becomes **00.860.0.115**.

**Three-phase**

Power supply voltage	Frequency	Absorption
220-240/380-420	50 Hz	1.05-1.22/0.63-071 A
254-280/440-480	60 Hz	1.05-1.22/0.63-071 A



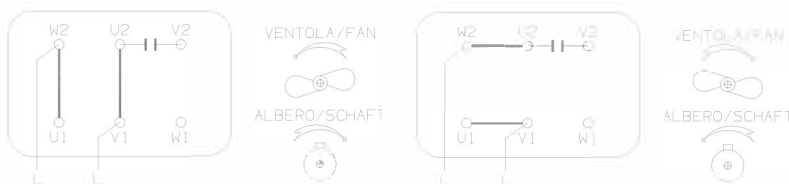
*Il motore trifase è fornito con connettore elettrico a stella*

**Features**

Power	0.18 kW
Protection rating	IP55
Service	Continuous S1
Insulation	Class F
Construction shape	B14
Size	Mec63
Weight	4 Kg

**Single-phase**

Power supply voltage	Frequency	Absorption
230 V AC	50 Hz	1,47 A
230 V AC	60 Hz	1,61 A
115 V AC	50 Hz	2,94 A
115 V AC	60 Hz	3,2 A



MPO



MPO electric pumps are intended for the provision of oil lubrication systems where progressive dividers are installed.

A valve unit, which provides priming and bypass functions, is applied to the gear pump. They are also equipped with electric minimum level indicator, pressure switch, filler cap with filter and intake filter. Their high pressure and flow rate performance allow them to be used in medium and large size systems.

MPO with a plastic tank

3 Litres	6 Litres	Flow rate
00.860.0	00.860.3	150 CC / 1'
00.860.1	00.860.4	250 CC / 1'
00.860.2	00.860.5	500 CC / 1'

Overall dimensions (mm)

Tank	A	B	C	D	E	F
3 L	155	181	348	167	170	230
6 L	250	276	443	167	170	230

MPO without a tank

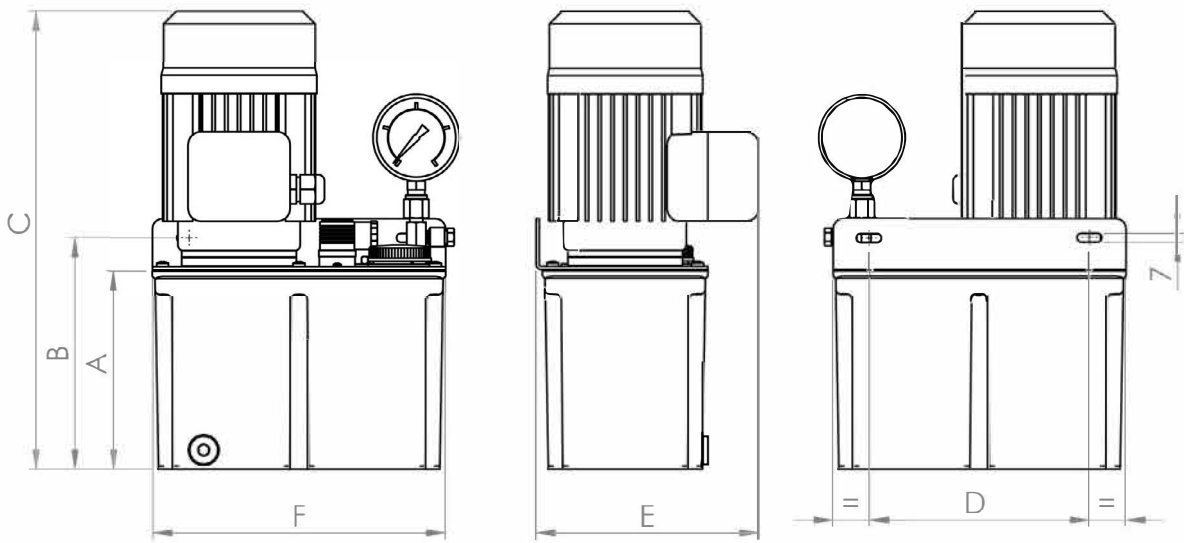
Code	Flow rate
00.866.1	150 CC / 1'
00.866.2	250 CC / 1'
00.866.3	500 CC / 1'

MPO with a metal tank

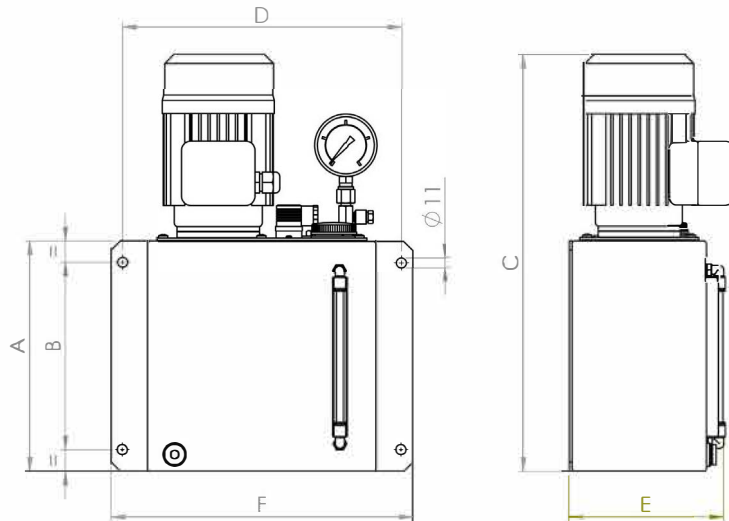
5 Litres	8 Litres	12 Litres	50 Litres	Flow rate
00.861.0	00.862.0	00.863.0	00.864.0	150 CC / 1'
00.861.1	00.862.1	00.863.1	00.864.1	250 CC / 1'
00.861.2	00.862.2	00.863.2	00.864.2	500 CC / 1'

Overall dimensions (mm)

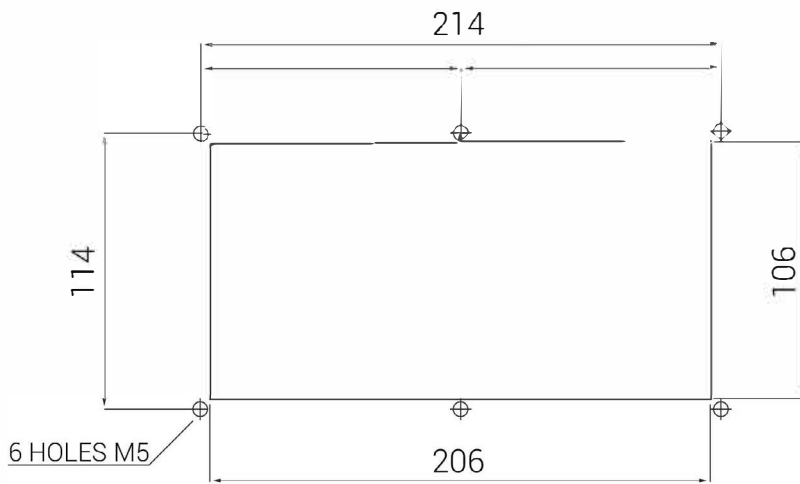
Tank	A	B	C	D	E	F
5 L	156	182	348	167	170	236
8 L	250	205	443	305	178	330
12 L	250	205	443	330	210	355
50 L	400	300	592	530	275	560



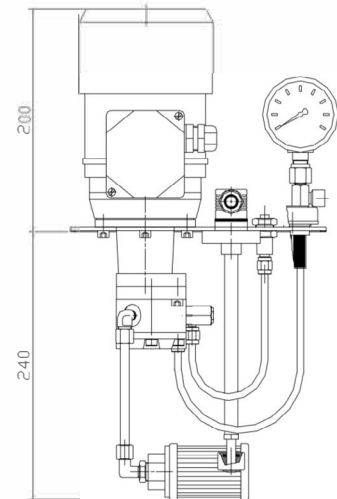
MPO 3-6 Litres (plastic)



MPO 5-8-12-50 Litres (metal)



Boring template for MPO without a tank



MPO Without a tank

# *Relia***MAX**<sup>TM</sup>

*Reliable Performance & Maximum Value*

**AUTHORIZED**

**DISTRIBUTOR**