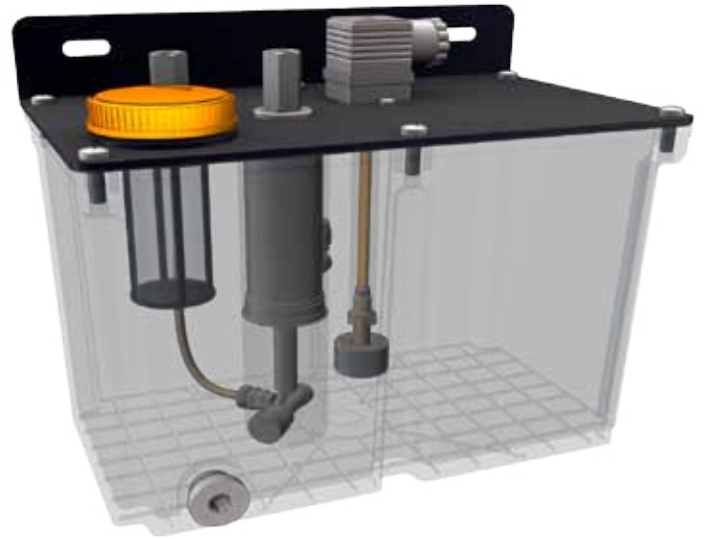


## PRA-15 OIL PNEUMATIC PUMP

### Technical Features

DISCHARGE/CYCLE	2.7 CC
WORKING PRESSURE	56 bar (795 PSI) MAX
RATIO	8 ÷ 1
AIR OPERATING PRESSURE	FROM 4 bar TO 7 bar FROM 60 PSI TO 100 PSI
RELEASE VALVE	0.7 bar (10 PSI)
CYCLES NUMBER/MINUTE	MAX 6
PLASTIC RESERVOIR	2 L – 3.6 L
SUCTION STRAINER	250 MICRON
DISCHARGE PORT	1/8" - TUBE 6 MM
TEMPERATURE RANGE	FROM - 10°C TO + 80°C
LUBRICANTS	OIL 50-1000 cSt 40°C
LOW LEVEL SWITCH	1.5 A 250 V AC – 150 V DC
AIR INLET	1 / 8" G



### Codes For Order

CODE	TYPE	OUTLET POSITION	RETURN FILTER
00.224.3	PRA-15/2	2 L	NO
00.224.6	PRA-15/3.6	3.6 L	NO

### Overall Dimension

PUMP	A	B	C	D	E	F
PRA-15/2	160	186	201	122.5	123	148
PRA-15/3.6	156	182	197	172.5	135	230

