

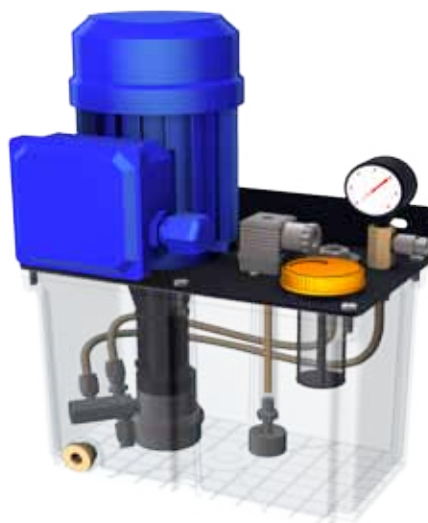
## SOFT GREASE MPT-500/G ELECTRIC PUMP



These Pumps Can Be Used In Medium-Big Machines With A Large Points Number.

### Technical Features

DISCHARGE/MINUTE	500 CC
WORKING PRESSURE	5 - 25 bar (70-354 PSI) ADJUSTABLE
RELEASE VALVE	0.7 bar
RESERVOIR	3 L - 5 L - 6 L
SUCTION STRAINER	400 MICRON
PRESSURE GAUGE	0 - 60 bar / 0 - 870 PSI
DISCHARGE PORT	M12X1 TUBO 6mm
TEMPERATURE RANGE	FROM -20°C TO +80°C
LUBRICANTS	SOFT GREASE NLGI 000 - 00
LOW LEVEL SWITCH	FROM 10 V TO 40 V DC
MOTOR	SEE TABLE AT PAGE 20



### Codes For Order

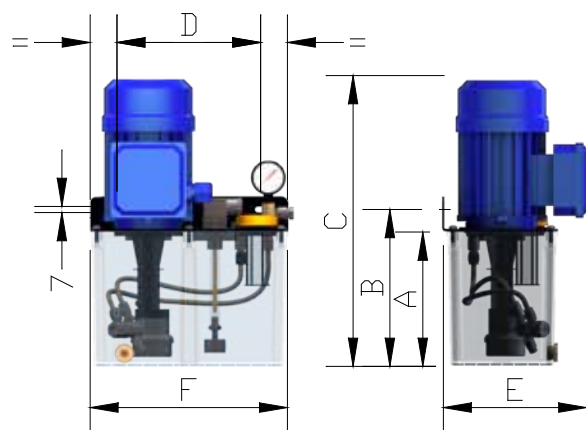
CODE	PRESSURE	TYPE	RESERVOIR CAPACITY
60.824.2	15 - 50 bar	MPT-3-G-NY-500-50	3 L NYLON
60.824.3	15 - 50 bar	MPT-6-G-NY-500-50	6 L NYLON
60.824.7	15 - 50 bar	MPT-3-G-LA-500-50	5 L METALLIC

On request can be supplied special motor voltages or single phase 115 v – 230 v ac 50/60hz. In this case add the voltage to the order code.

### Overall Dimension

PUMP	A	B	C	D	E	F	WEIGHT
MPT-3-G-NY	155	181	335	167	165	230	5.3 KG
MPT-6-G-NY	250	276	430	167	165	230	5.5 KG
MPT-3-G-LA	156	182	335	167	165	236	7.5 KG

### NYLON RESERVOIR



### METALLICO RESERVOIR

