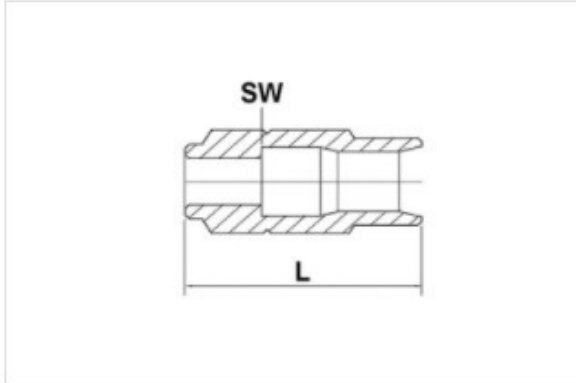
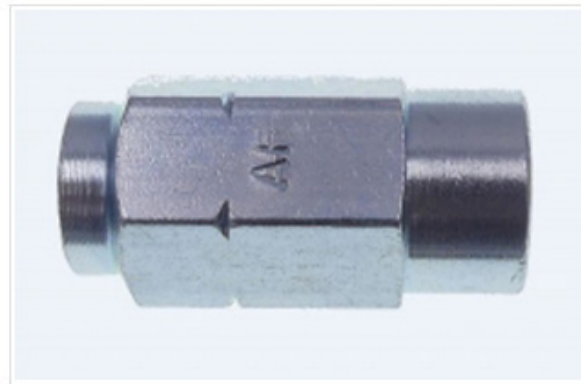
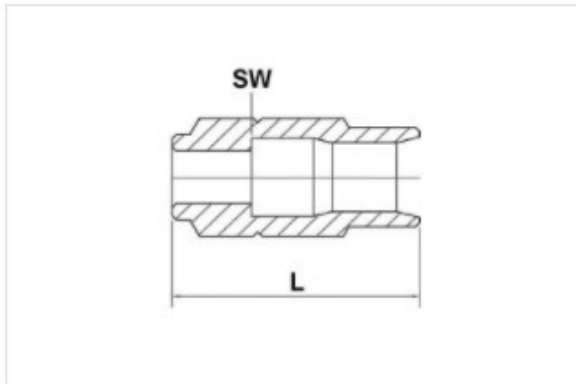


SEPARATING SURFACES SINCE '76

## THREADED HOSE SLEEVES FOR ASSEMBLING HIGH PRESSURE HOSE

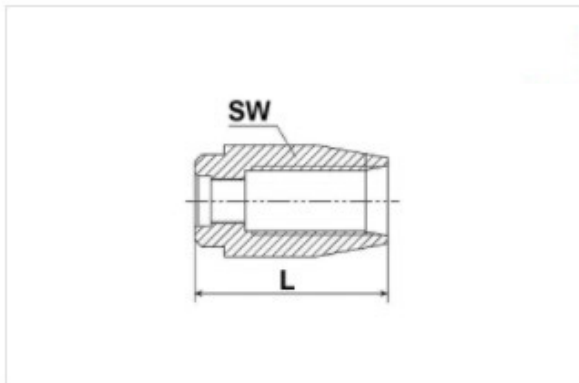


Item No.	Material	L	SW	Bag	Box
100-050	steel, surface chrome-VI free, galvanised	28	12	100	500
100-050-SW	steel, surface chrome-VI free, black Fn galvanised	28	12	100	500
100-050-VA	stainless steel 1.4401 / 316 / V4A	28	12	25	500



Item No.	Material	L	SW	Bag	Box
100-060	steel, surface chrome-VI free, galvanised	35,8	17	50	500
100-060-VA	stainless steel 1.4401 / 316 / V4A	35,8	17	25	500

## THREADED HOSE SLEEVES FOR ASSEMBLING HIGH PRESSURE HOSE



Item No.	Material	L	SW	Bag	Box
100-050-1	steel, surface chrome-VI free, galvanised	26	1/2"	100	500
3010-001	stainless steel 1.4401 / 316 / V4A	26	1/2"	25	500