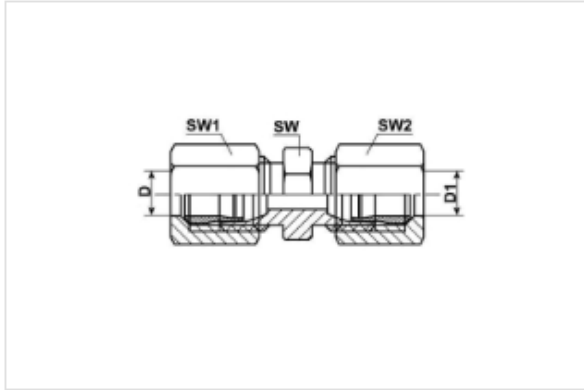


SEPARATING SURFACES SINCE '76

COMPRESSION FITTINGS - STRAIGHT UNIONS



Steel zinc / steel zinc-nickel / Cr-VI free

Item No.	Description	D	D1	SW	SW1	SW2	Serie	Bag	Box
104-000	G04-LL	4	4	9	10	10	LL	50	500
104-000-6	GR06/04-LL	4	6	11	12	10	LL	50	500
106-000	G06-LL	6	6	11	12	12	LL	100	500
106-000-L	G06-L	6	6	12	14	14	L	50	500
106-000-8	GR08/06-LL	6	8	12	14	12	LL	50	500
106-000-10-L	GR10/06-L	6	10	17	19	14	L	50	500
108-000	G08-LL	8	8	12	14	14	LL	50	250
108-000-L	G08-L	8	8	14	17	17	L	50	250
110-000	G10-LL	10	10	14	17	17	LL	50	500
110-000-L	G10-L	10	10	17	19	19	L	50	250
110-000-8-L	GR10/08-L	8	10	17	19	17	L	50	500

Stainless steel 1.4401 / 316 / V4A

Item No.	Description	D	D1	SW	SW1	SW2	Serie	Bag	Box
104-000-VA	G04-LL	4	4	9	10	10	LL	25	250
1014-001	G06/04-LL	4	6	11	12	10	LL	25	250
106-000-VA	G06-LL	6	6	11	12	12	LL	25	250
106-000-VA-L	G06-L	6	6	12	14	14	L	25	250
108-000-VA	G08-LL	8	8	12	14	14	LL	25	250
108-000-VA-L	G08-L	8	8	14	17	17	L	25	125
110-000-VA-L	G10-L	10	10	17	19	19	L	25	125