

## 400 SERIES

### STANDARD-DUTY MEDIUM PRESSURE PUMPS

Double acting air operated medium pressure high volume pumps for dispensing lubricants in medium size installations. Pumps include height adjustable 2" NPTM bung adaptor for drum and tank bung mounting. Built in port for optional (PN 609 007) pressure relief valve.



#### FLUIDS HANDLED

- Synthetic and mineral based oil.
- Gear lube.
- Hydraulic oil.
- Transmission fluid.

#### MARKETS SERVED

- Vehicle maintenance centers and auto dealers.
- Fleet service.
- Fast lube centers.
- Lube trucks.
- Mining and construction.
- In-plant.

#### MODELS

PART No.	APPLICATION	WEIGHT
340 120	Universal stub pump with bung adaptor	13 lb (5,7 kg)
340 520	16 gal drum bung mounted with bung adaptor	15.5 lb (7 kg)
341 120	55 gal (205 l) drum bung mounted with bung adaptor	17 lb (7,7 kg)
433	275/500 gal tank (48") with bung adaptor	19 lb (8,6 kg)

#### TECHNICAL DATA PRESSURE RATIO 3:1

Air pressure operating range	20 to 140 psi (1,5 - 10 bar)
Air consumption (1)	10 scfm (285 NL/min)
Maximum fluid outlet pressure	420 psi (30 bar)
Air motor diameter	3 1/2" (88 mm)
Air motor effective diameter	2 1/2" (60 mm)
Air motor stroke	4" (100 mm)
Delivery at 85 cpm	2.7 US gpm (10 l/min)
Maximum free flow delivery (2)	11.1 US gpm (42 l/min)
Air inlet	3/8" NPTF
Fluid inlet (stub pump only)	1" NPTF
Fluid outlet	3/4" NPTF
Wetted and seal materials	Aluminium / Steel / Polyurethane / NBR / PTFE
Noise level (3)	80 dB
Manual	834 810

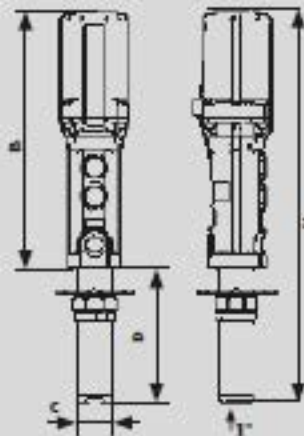
#### DIMENSIONS Inches - (mm)

PART No.	340 120	340 520	341 120
A	23" (585)	42 3/4" (1.085)	51" (1.295)
B	15 1/4" (385)	15 1/4" (385)	15 1/4" (385)
C	2" (52)	25" (52)	2" (52)
D	8" (200)	27 1/2" (700)	35 3/4" (910)
PART No.	433		
A	63 1/4" (1.600)		
B	15 1/4" (385)		
C	2" (52)		
D	48" (1.215)		

(1) Air consumption with 90 psi (6 bar) air inlet pressure and 85 cycles per minute.

(2) Maximum free delivery at 100 psi (7 bar.)

(3) Maximum noise level measured at 3' (1 m) from the pump, 100 psi (7 bar) air pressure and free delivery.



#### SAE 30 - 68 °F (20 °C) CAPACITY CURVE

