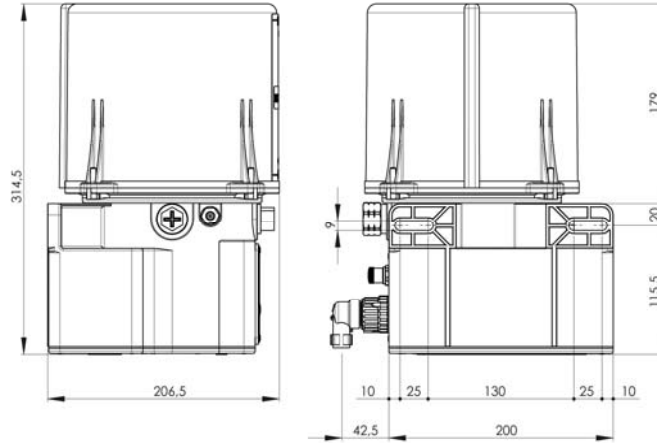
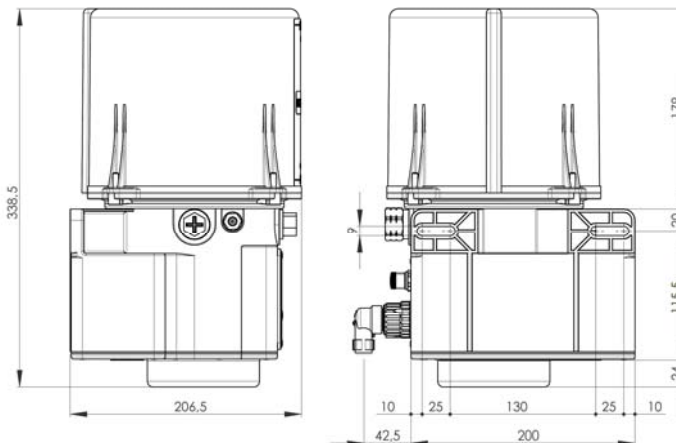


GREASE ELECTRIC PUMP ILC-MAX-G 4 (12/24 V DC – 24 V AC)



GREASE ELECTRIC PUMP ILC-MAX-G 4 (115/230 V AC)



TECHNICAL DATA

NUMBER OF OUTLETS	FROM 1 TO 3
DISCHARGE/ROTATION WITH FIXED PUMPING ELEMENT	0.16 CC
DISCHARGE/ROTATION WITH ADJUSTABLE PUMPING ELEMENT	0.01 – 0.16 CC
RPM	23 rpm (12 V DC) - 22 rpm (24 V DC) - 29 rpm (230 V AC) - 31 rpm (115 V AC)
DISCHARGE/MIN WITH FIXED PUMPING ELEMENT	3,68 cm ³ (12 V DC) / 3,52 cm ³ (24 V DC) / 4,64 cm ³ (230 V AC) / 4,96 cm ³ (115 V AC)
DISCHARGE/MIN WITH ADJUSTABLE PUMPING ELEMENT	0,23 – 3,68 cm ³ (12 V DC) / 0,22 – 3,52 cm ³ (24 V DC) / 0,29 – 4,64 cm ³ (230 V AC) / 0,31 – 4,96 cm ³ (115 V AC)
SUITABLE LUBRICANTS	GREASE NLGI 1 and 2 CONSISTENCY
MAX. COUNTERPRESSURE	275 BAR (3993 PSI) ±10%
RESERVOIR CAPACITY	4 KG - PLASTIC
TEMPERATURE	FROM - 20 °C TO + 80 °C
OUTLET CONNECTION	1 / 4" G
LOW LEVEL SWITCH	1 A 140 V AC – 200 V DC 10 W NO A pulse from open to close is created at every revolution when reservoir is empty
RPM CONTROL	1 A 140 V AC – 200 V DC 10 W NO – Contact closes at every rotation