

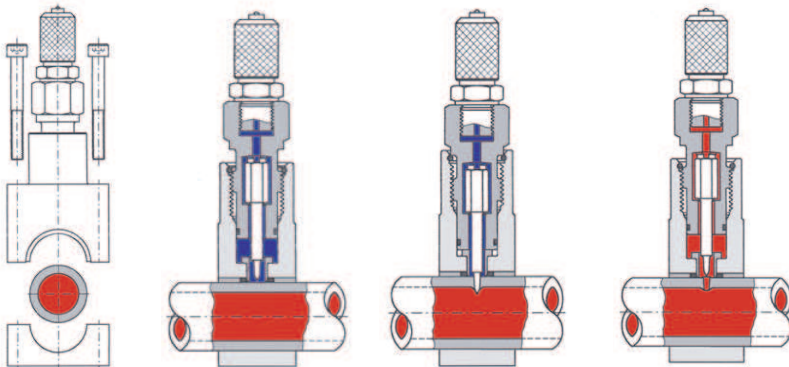
VM1 Series

Valve Mount for Install under pressure in Flooded Lines

- Add oil sampling and pressure measuring connections easily and safely
- Installation while equipment is running
- Connection can stand up to 9000psi**
(dependent on the valve and probe that is used)
- Installation in only a few minutes
- No special tools required
- No cutting open pipes or special adapters required



Overview



Step 1:
Clamp to
clean pipe.

Step 2
Bolt clamp down

Step 3:
Thread valve down
in clock-wise direction.

Step 4:
Thread valve up in counter
clock-wise direction.

SAE Tubing* J524/525

Part#	Nominal Size	Outside Diameter
VM1-38	3/8"	0.375"
VM1-12	1/2"	0.500"
VM1-58	5/8"	0.625"
VM1-34	3/4"	0.750"
VM1-1	1"	1.00"
VM1-114	1 1/4"	1.25"
VM1-112	1 1/2"	1.50"
VM1-2	2"	2.00"

Specifications

**Pressure: up to 9000psi
(with proper probe & valve)
Valve Material: See section
Clamp, Shell and Needle Material: Steel
Viton Seal Temperature: -15 to +400F
Standard Plating: Zinc Dichromate
-R Plating: Nickel Enhanced

Materials

Component	Material
Clamp	Steel
Shell	Steel
Seal	Viton
Needle	Steel
Std Plating	Zinc Dichromate
-R Plating	Nickel Enhanced

Metric Tubing DIN 2391*

Part#	Nominal Size	Outside Diameter
VM1-10LS	10mm	0.394"
VM1-12LS	12mm	0.472"
VM1-14S	14mm	0.551"
VM1-15L	15mm	0.591"
VM1-16S	16mm	0.630"
VM1-18L	18mm	0.709"
VM1-20S	20mm	0.787"
VM1-22L	22mm	0.866"
VM1-25S	25mm	0.984"
VM1-28L	28mm	1.102"
VM1-30S	30mm	1.181"
VM1-35L	35mm	1.378"
VM1-38S	38mm	1.496"
VM1-42L	42mm	1.654"

*Add P to part# for wall thicknesses between 5mm and 7.5mm.
Please ask about larger Pipe or Tubing sizes & wall thicknesses over 7.5mm.



Lubrication Technologies, Inc.
120 Bosworth Street
West Springfield, MA 01089

413-788-LUBE (5823)
Fax 413-218-5823
www.LubeTechnologies.com