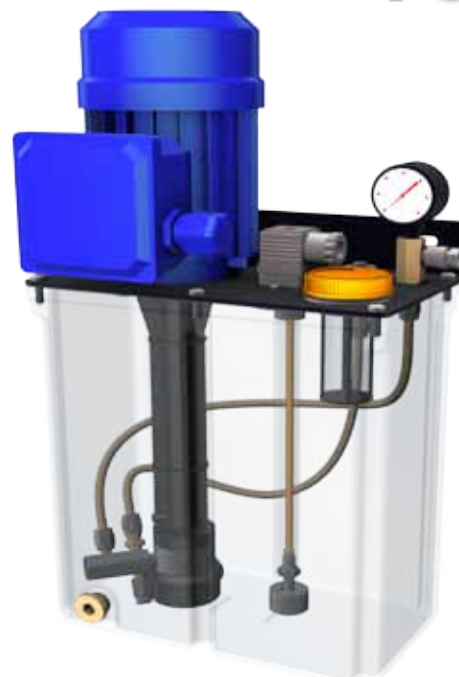


These pumps can be used in medium-big machines with a large points number.

Technical Features

DISCHARGE/MINUTE	100 CC
WORKING PRESSURE	5 - 25 bar (70-354 PSI) ADJUSTABLE 15-50 bar (212-708 PSI) ADJUSTABLE
RELEASE VALVE	0.7 bar
RESERVOIR	3 L - 5 L - 6 L
SUCTION STRAINER	250 MICRON
PRESSURE GAUGE	0 - 60 bar / 0 - 870 PSI
DISCHARGE PORT	M12X1 TUBE 6mm
TEMPERATURE RANGE	FROM -20°C TO +80°C
LUBRICANTS	OIL 50 - 1000 cSt 40°C
LOW LEVEL SWITCH	1.5 A 250 V AC 200 V DC 50 W
MOTOR	SEE TABLE AT PAGE 20



Codes For Order

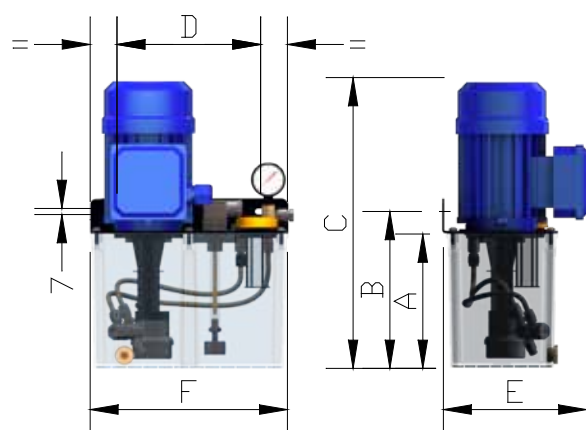
CODE	PRESSURE	TYPE	RESERVOIR CAPACITY	TYPE	PRESSURE	CODE
60.822.0	5 - 25 bar	MPT-3-NY-500-25	3 L NYLON	MPT-3-NY-500-50	15 - 50 bar	60.822.2
60.822.1	5 - 25 bar	MPT-6-NY-500-25	6 L NYLON	MPT-6-NY-500-50	15 - 50 bar	60.822.3
60.822.4	5 - 25 bar	MPT-3-LA-500-25	5 L METALLIC	MPT-3-LA-500-50	15 - 50 bar	60.822.7

On request can be supplied special motor voltages or single phase 115 v - 230 v ac 50/60hz. in this case add the voltage to the order code.

Overall Dimension

PUMP	A	B	C	D	E	F	WEIGHT
MPT-3-NY	155	181	335	167	165	230	5.3 KG
MPT-6-NY	250	276	430	167	165	230	5.5 KG
MPT-3-LA	156	182	335	167	165	236	7.5 KG

NYLON RESERVOIR



METALLIC RESERVOIR

