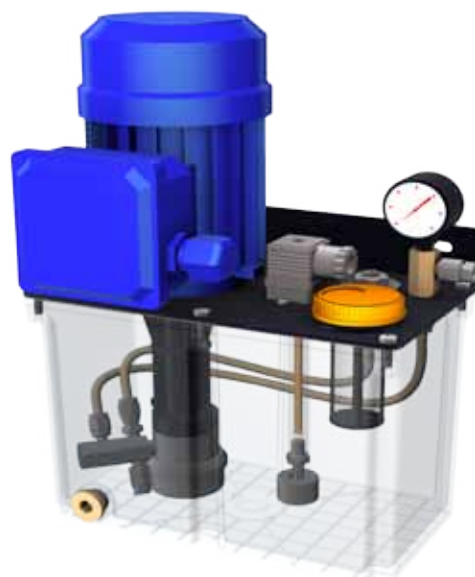


These pumps can be used in small - medium machines with a restrict points number.

Technical Features

DISCHARGE/MINUTE	100 CC
WORKING PRESSURE	5 - 25 bar (70-354 PSI) ADJUSTABLE
RELEASE VALVE	0.7 bar
RESERVOIR	2 L - 3 L - 5 L - 6 L
SUCTION STRAINER	250 MICRON
PRESSURE GAUGE	0 - 60 bar / 0 - 870 PSI
DISCHARGE PORT	M12X1 TUBO 6mm
TEMPERATURE RANGE	FROM -20°C TO +80°C
LUBRICANTS	OIL 50 - 1000 cSt 40°C
LOW LEVEL SWITCH	1.5 A 250 V AC 200 V DC 50 W
MOTOR	SEE TABLE AT PAGE 20



Codes For Order

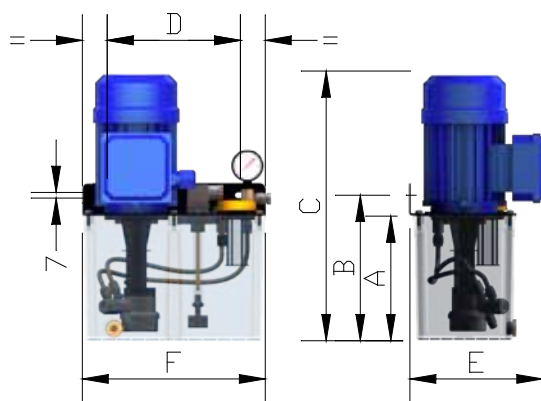
CODE	PRESSURE	TYPE	RESERVOIR CAPACITY
60.821.0	5 - 25 bar	MPT-2-NY-200-25	2 L NYLON
60.821.1	5 - 25 bar	MPT-3-NY-200-25	3 L NYLON
60.821.2	5 - 25 bar	MPT-6-NY-200-25	6 L NYLON
60.821.3	5 - 25 bar	MPT-3-LA-200-25	5 L METALLIC

On request can be supplied special motor voltages or single phase 115 v – 230 v ac 50/60hz. In this case add the voltage to the order code.

Overall Dimension

PUMP	A	B	C	D	E	F	WEIGHT
MPT-2-NY	160	186	340	128	158	148	4.8 KG
MPT-3-NY	155	181	335	167	165	230	5.3 KG
MPT-6-NY	250	276	430	167	165	230	5.5 KG
MPT-3-LA	156	182	335	167	165	236	7.5 KG

NYLON RESERVOIR



METALLIC RESERVOIR

