

75' MAXIMUM HOSE CAPACITY

### FLUIDS HANDLED

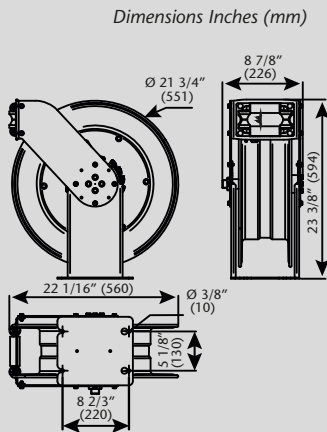
- Air.
- Water.
- Antifreeze and windshield wash solutions.
- Synthetic and mineral oils.
- DEF / AdBlue®
- Waste Oil Evacuation.
- Diesel.
- Grease.

### MARKETS / APPLICATIONS

- Truck dealers.
- Service shops.
- Fleets.
- Lube trucks.
- Mining and construction.
- Railroad and mass transit.
- General manufacturing.

### MOUNTING

- Floor.
- Wall.
- Ceiling.
- Tank.



**Full metal, Heavy-Duty double pedestal hose reels with hose capacity up to 50' x 3/4" or 75' x 1/2" hose.**



HOSE REEL PART No.	HOSE LENGTH	HOSE I.D.	OUTLET THREAD	MAX. WORKING PRESSURE	NET WEIGHT	REEL ONLY WITH SWIVEL PART No.
<b>AIR, WATER AND WATER BASED FLUIDS</b>						
<b>505 120</b>	75'	1/2"	1/2" NPTM	300 psi	79.3 lb	<b>505 002</b>
<b>505 121</b>	50'	3/4"	3/4" NPTM	300 psi	83.2 lb	<b>505 002</b>
<b>DIESEL</b>						
<b>505 425</b>	50'	3/4"	3/4" NPTM	200 psi	83.7 lb	<b>505 002</b>
<b>LUBRICANTS</b>						
<b>505 220</b>	75'	1/2"	1/2" NPTM	2,000 psi	80.3 lb	<b>505 002</b>
<b>505 221</b>	50'	3/4"	3/4" NPTM	1,250 psi	84.7 lb	<b>505 002</b>
<b>HIGH PRESSURE GREASE AND HYDRAULIC FLUID</b>						
<b>505 330</b>	75'	3/8"	3/8" NPTM	4,000 psi	86 lb	<b>505 014</b>
<b>DEF (STAINLESS STEEL AND ACETAL FLOW PATH)</b>						
<b>505 550</b>	50'	3/4"	3/4" NPTM	300 psi	85 lb	<b>505 502</b>

- Very tough construction able to stand regular use and abuse in Intensive Duty applications.
- Fatigue resistant steel spring for years of durable performance and even load when pulling and recoiling the hose.
- Fully ported shaft and swivel.
- Spool mounted on two permanently lubricated and sealed ball bearings to reduce torque load on spring for smooth retraction and longer life.
- Large effective radial latching area for easier operation.
- Hose guide arm can be placed in different positions to accommodate any method of mounting.
- Narrow footprint allows mounting more reels on the same surface.

Reel includes inlet swivel, reel with hose includes hose stop.  
 Inlet connecting hose: not included.  
 See hose section for all hose models.

**MANUAL FOR ALL 505 SERIES HOSE REELS: 850 825**